



SPECIFICATIONS

General Information

- Designed to seal 6.75"x9.25" factory placed cutout in Tate Concore Panel
- Provides excellent plenum integrity with and without cable penetrations

Frame and Lid

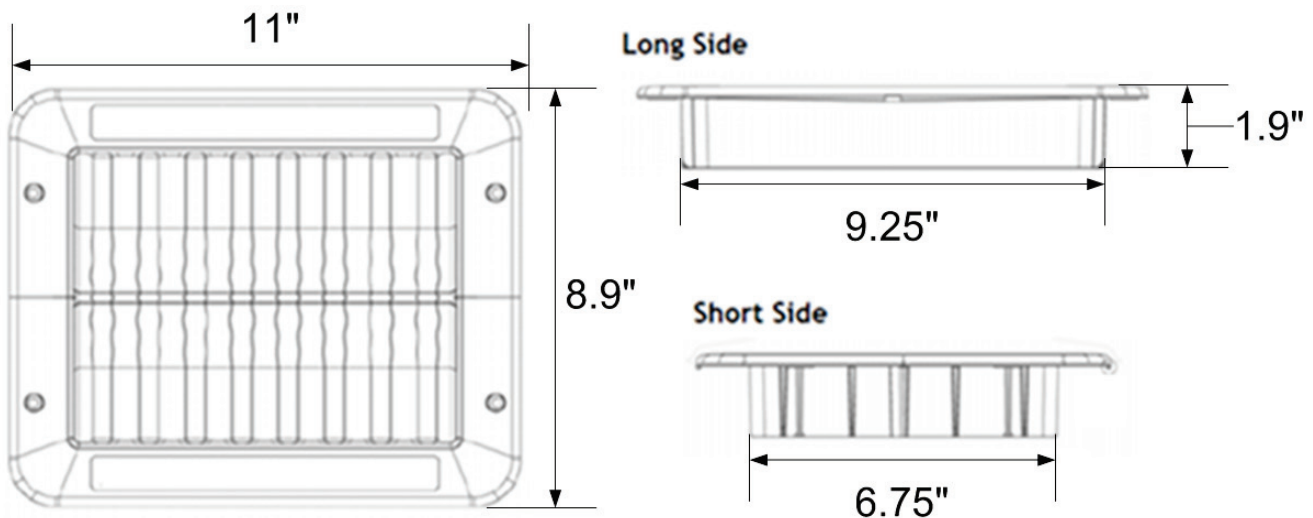
- Injection molded ABS plastic
- Two piece design for installation around existing cable penetrations
- 4 screw down locations
- Optional snap tight lid with weight bearing capacity of 250lbs (PN TKLID)

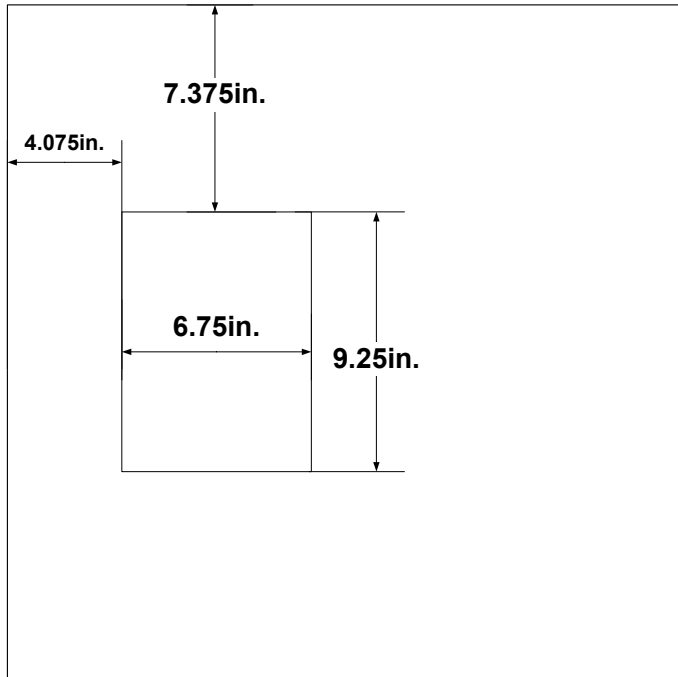
Sealing Surface

- Crenellated thermoplastic elastomer
- Provides a full 35 square inches of usable space for cable pass through

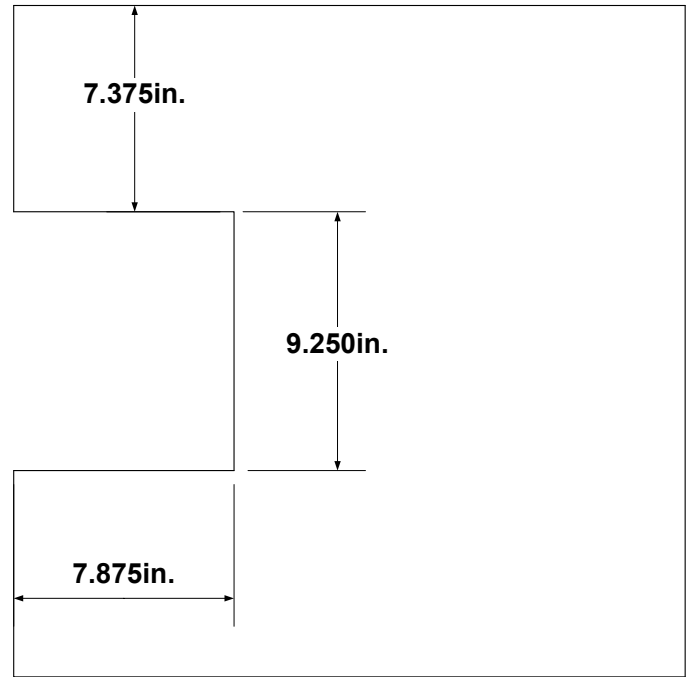
Dimension

- Part Number TK6790
- 6.75"x9.25" cutout required in panel
- Overall dimensions: 8.9"x11"
- 1.9" in height without lid
- 3" in height with lid

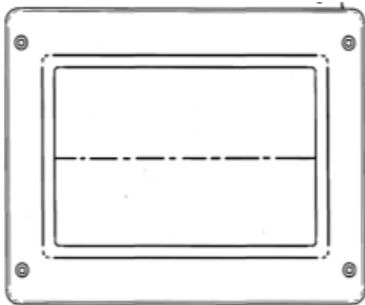




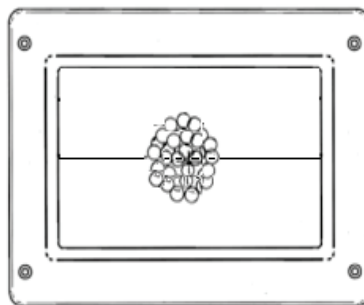
Factory Standard Interior Cutout



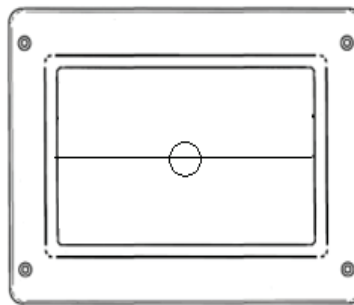
Factory Standard Edge Cutout



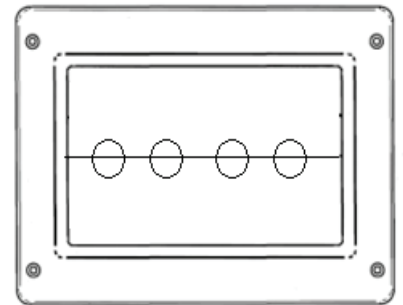
No Penetrants



Bundle of 32 Networking Cables



1 x 9/16" Power Cable



4 x 9/16" Power Cables

CFM Sealing Performance at 0.05" Static Pressure	Open Area Available	No Penetrants	Bundle of 32 Networking Cables	1 x 9/16" Power Cable	4 x 9/16" Power Cables
Tate KOLDLOK	35 sqin	0.07	2.17	.385	1.16