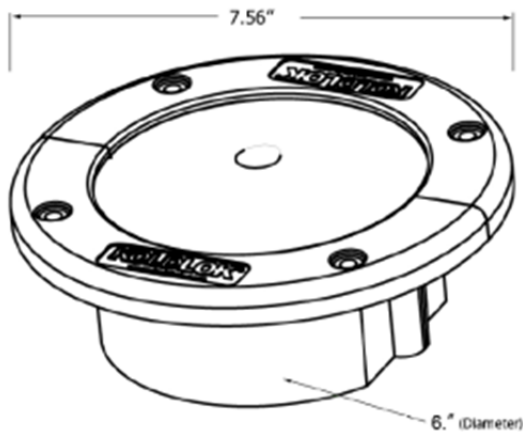




PN K40003



SPECIFICATIONS

General Information

- Split Design allows for simple retrofit around existing cables in existing cable cutouts
- Compliant with ROHS requirements
- Two units per rack allows for simple method of power and networking capable separation

Sealing Surface

- Type 6 Nylon
- Hybrid Brush Technology (HBT)
- Thermoplastic elastomer sealing layer
- Leakage rate of 6.4 SCFM at 0.05" static pressure per 100 square inches of usable area

Dimension

- Available Size
 - Part Number K40003
 - 7.56" x 1.9" Overall
 - 0.40" High installed
 - 6" Round cutout size
 - 22.55 square inches of usable penetration area

Finishes

- Black ABS UL94 HB Rated

Mounting

- 4 Self Tapping Screws