

Soft Partition in standard 4' width, with 2" overlap on each side

## SPECIFICATIONS

### General Information

- Modular, Field Installation
- UL Listed Fusible Links
- 360 Degree Ceiling Hung Attachment
- Overlapping Design for improved Air Sealing
- Slide and lock to install adjacent headers
- Easy Pivot and Grip Installation method for vinyl allows for installation or Adjustment at any location and any time
- Standard Rail Length: 4' (Easily cut down in the field for perfect fit, every time)
- Extra Straight Connectors Available to Re-Use Cut Partition Sections

## OPTIONS

### Aluminum Extrusion Finish Options

- Clear Anodized
- Black Anodized

### System Lengths

- 0"-36"
- 36"-96"
- 96"-144"

### Partition Material

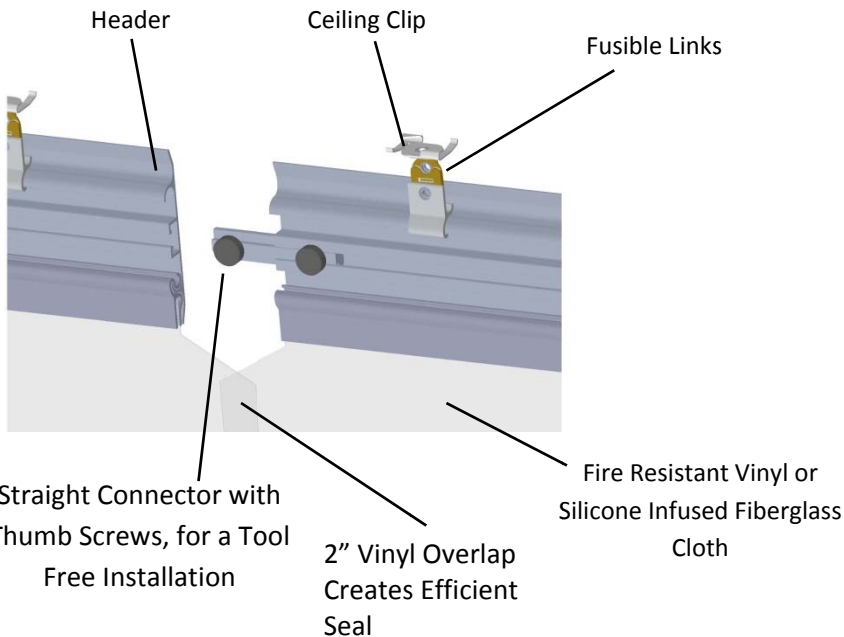
- Fire Resistant, Static Dissipating Clear Vinyl
- Silicone Infused Translucent Fiberglass Cloth

## INCLUDED COMPONENTS

- 1 x 4' Long Header Rail
- 1 x Straight Connector w/ Color Matching Thumb Screws
- 2 x Ceiling Grid Connector
- 1 x 4' Long Vinyl Pivot and Grip Bracket with 2" Overlap on Each End

## ADDITIONAL SPECIFICATIONS

- Vinyl Meets requirements of NFPA 2009, UL94 V-0, CPAI-84, NFPA-701, 1,000 hours U.V. ASTM Weatherometer
- Silicone Infused Fiberglass Cloth meets requirements for 2013 NFPA 75, ASTM E84-12. Rated Class 'A'
- Fusible link is UL Listed
- Mechanically activated under thermal stress at 135°F to release system and not interfere with fire suppression systems.
- Fusible link maximum Loading of 45 lbs
- Ceiling Clip designed for standard 1" wide T-Grid System, may not be compatible with all systems.



Straight Connector with Thumb Screws, for a Tool Free Installation

2" Vinyl Overlap Creates Efficient Seal

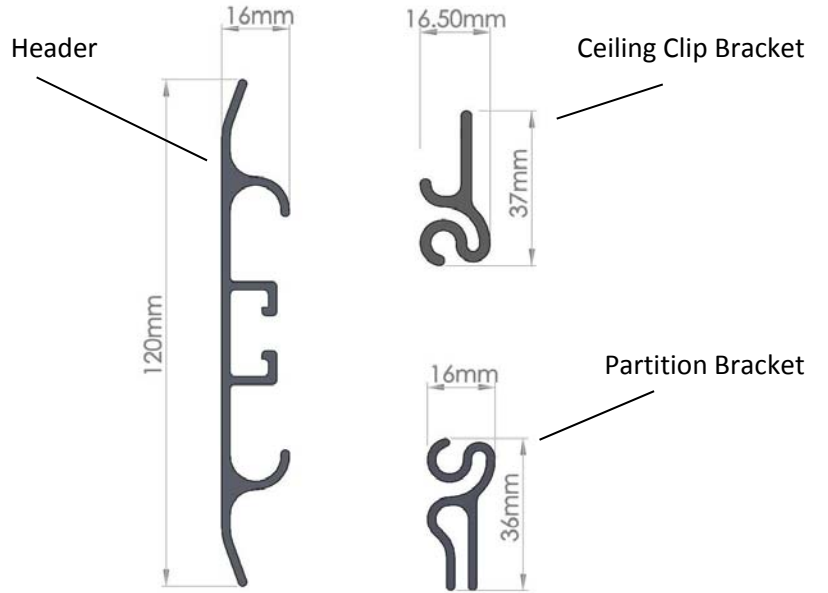
Fire Resistant Vinyl or Silicone Infused Fiberglass Cloth



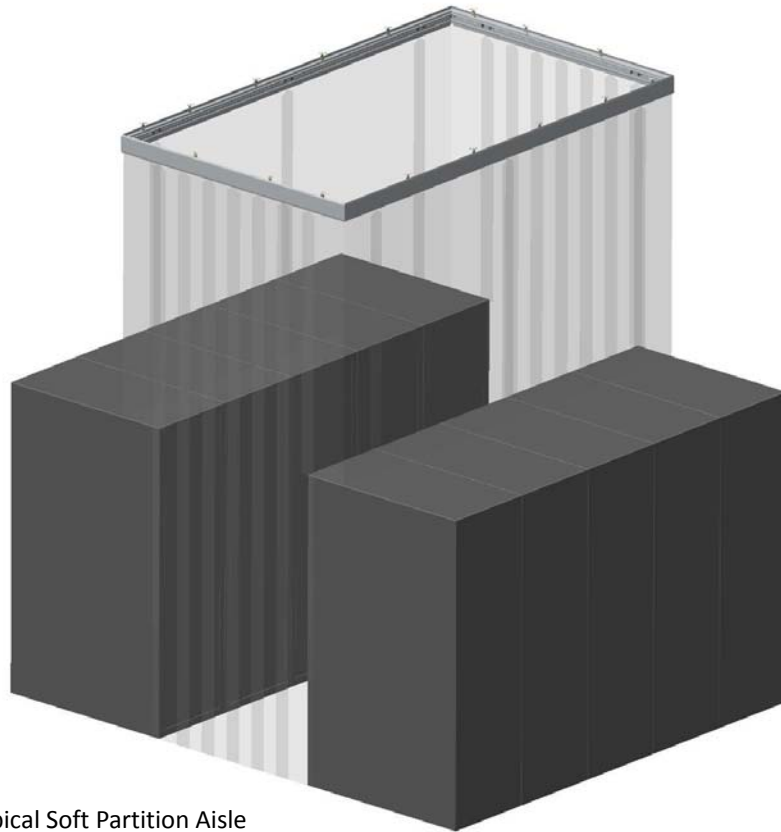
Pivot and Grip Curtain and Ceiling Grid Connections



Modular installation for Any Aisle Length



Custom Extrusion Profiles



Typical Soft Partition Aisle Containment Layout

**PART NUMBERS**

