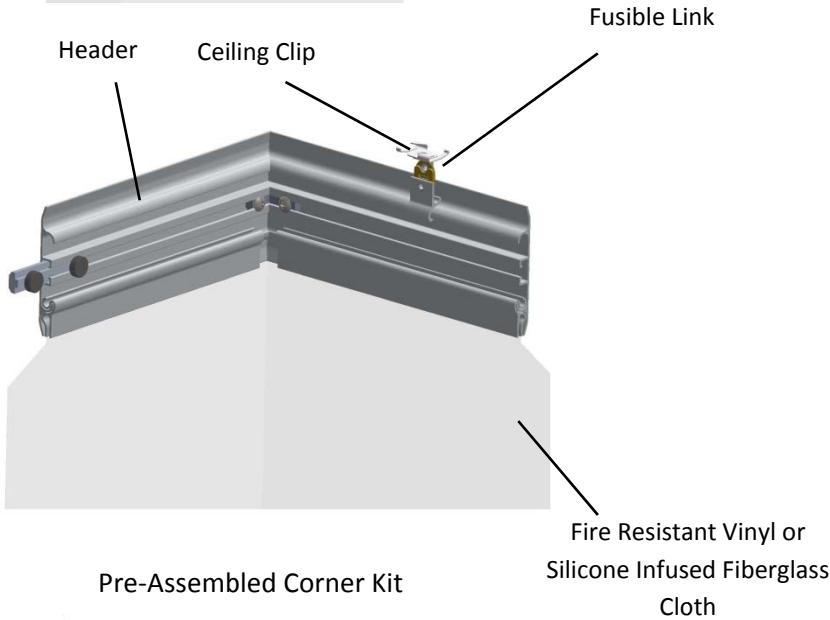
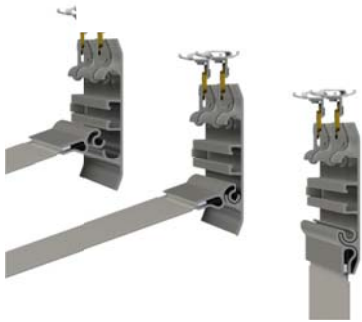


Soft Corner in standard 12"x12" size,
with 2" overlap on each side



Pre-Assembled Corner Kit



Pivot and Grip Curtain and
Ceiling Grid Connections

SPECIFICATIONS

General Information

- Modular, Field Installation
- UL Listed Fusible Links
- 360 Degree Ceiling Hung Attachment
- Overlapping Design for improved Air Sealing
- Slide and lock to install adjacent headers
- Easy Pivot and Grip Installation method for vinyl allows for Installation or Adjustment at any location and any time
- Standard Corner Dimensions: 12"x12"

OPTIONS

Aluminum Extrusion Finish Options

- Clear Anodized
- Black Anodized

System Lengths

- 0"-36"
- 36"-96"
- 96"-144"

Partition Material

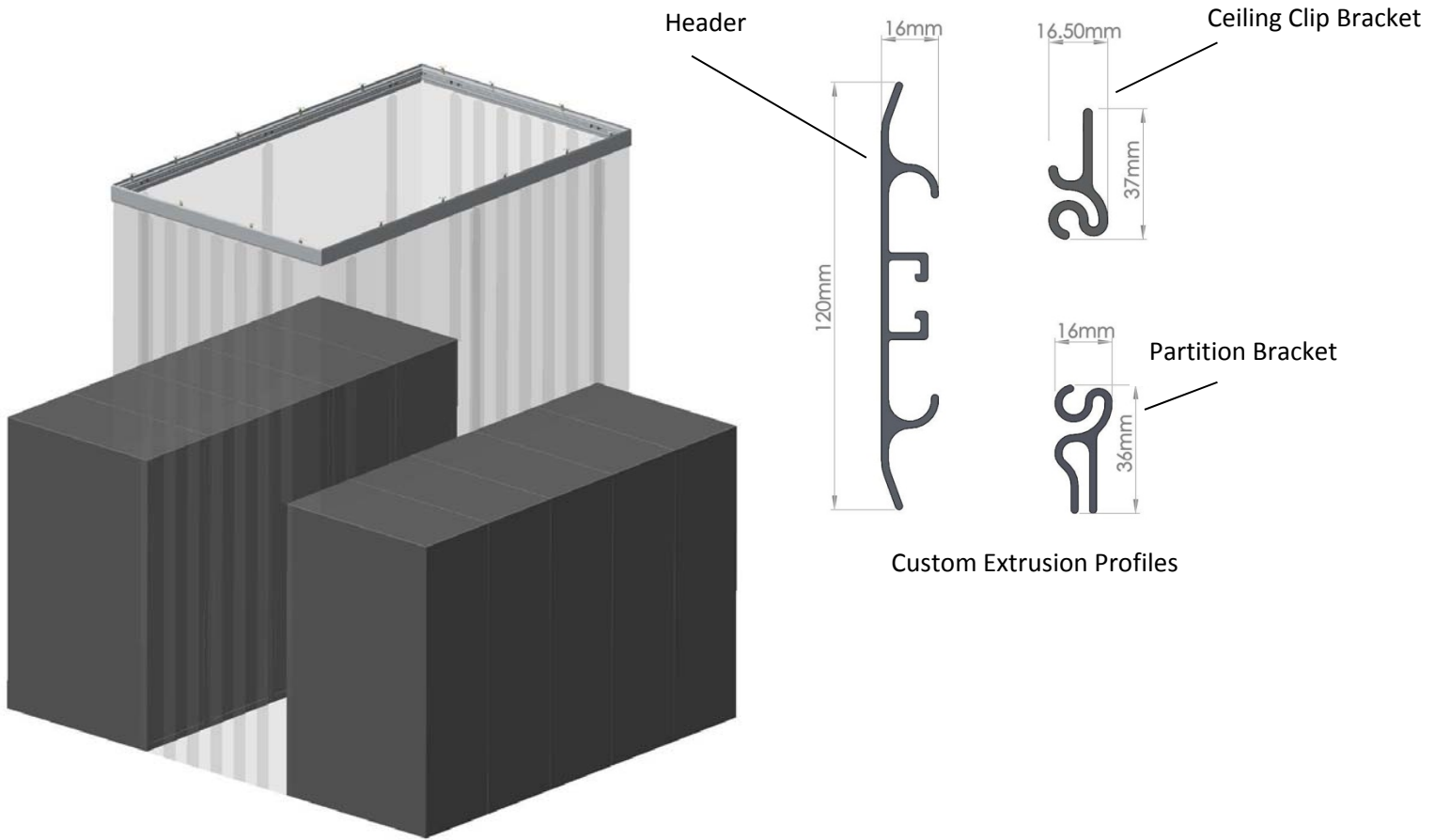
- Fire Resistant, Static Dissipating Clear Vinyl
- Silicone Infused Translucent Fiberglass Cloth

INCLUDED COMPONENTS

- 1 x 12"x12" Corner Assembly
- 1 x Straight Connector w/ Color Matching Thumb Screws
- 1 x Ceiling Grid Connector
- 1 x 24" Long Vinyl Pivot and Grip Bracket with 2" Overlap on Each End

ADDITIONAL SPECIFICATIONS

- Vinyl Meets requirements of NFPA 2009, UL94 V-0, CPAI-84, NFPA-701, 1,000 hours U.V. ASTM Weatherometer
- Silicone Infused Fiberglass Cloth meets requirements for 2013 NFPA 75, ASTM E84-12. Rated Class 'A'
- Fusible link is UL Listed
- Mechanically activated under thermal stress at 135°F to release system and not interfere with fire suppression systems.
- Fusible link maximum Loading of 45 lbs
- Ceiling Clip designed for standard 1" wide T-Grid System, may not be compatible with all systems.



Typical Soft Partition Aisle
Containment Layout

PART NUMBERS

